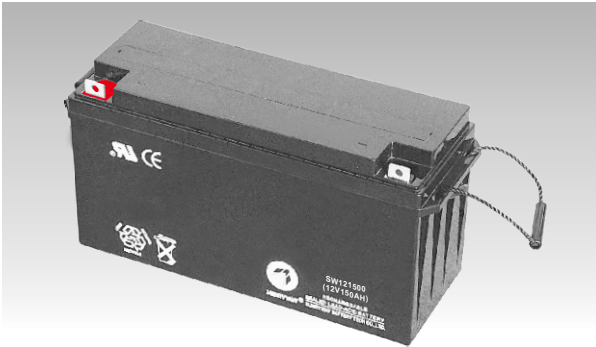
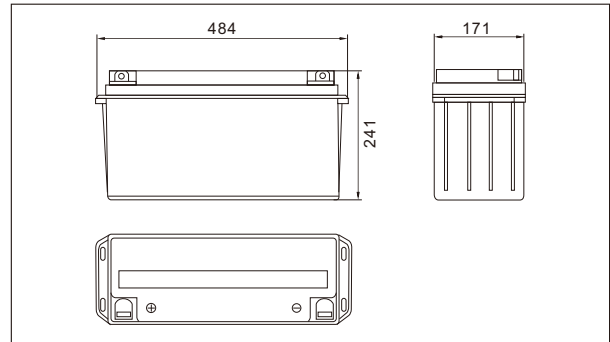




SW121500(12V150AH)



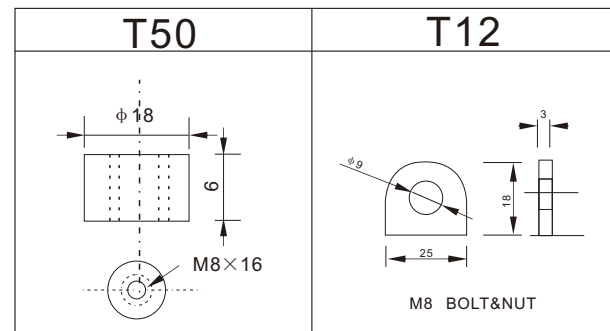
Outer dimensions (mm)



Specifications

Nominal Voltage		12V
Rated capacity (10 hour rate)		150 Ah
Dimensions	Total Height	241 mm (9.49inches)
	Height	241 mm (9.49 inches)
	Length	484 mm (19.1 inches)
	Width	171 mm (6.73 inches)
Weight Approx		44.5 Kg (97.9 lbs)

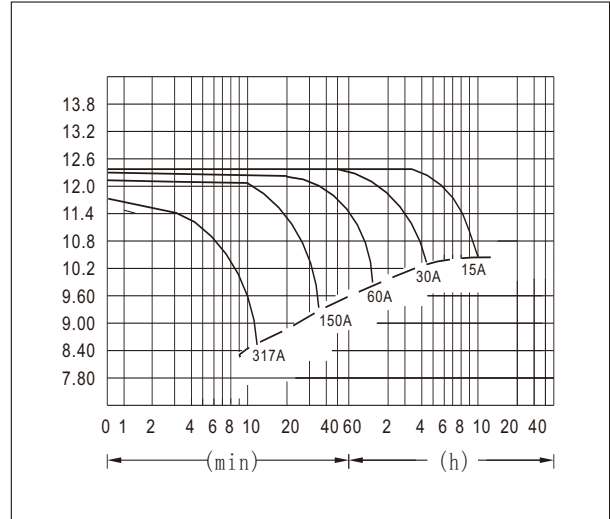
Terminal Type (mm)



Characteristics

Capacity 25°C(77°F)	10 hour rate(15.0 A)	150 AH
	5 hour rate(24.0 A)	120 AH
	1 hour rate(90.0A)	90.0 AH
	1.5 hour discharge to 10.5V	60.0 A
Internal Resistance	Full charged Battery at 25°C(77°F)	2 mΩ
Capacity affected by Temperature (20hour rate)	40°C(104°F)	102%
	25°C(77°F)	100%
	0°C(32°F)	85%
	-15°C(5°F)	65%
Self-Discharge at 25°C(77°F)	Capacity after 3 month storage	91%
	Capacity after 6 month storage	82%
	Capacity after 12 month storage	64%
Terminal	T50、T12	
Charge (constant Voltage)	Cycle	Initial Charging Current less than37.5A Voltage 14.10-14.40V
	Float	Voltage 13.50-13.80V
Design Life	10 Year	

Discharge Curves 25°C(77°F)



Constant Current(Amp) and Constant Power(Watt) Discharge Table at 25°C (72°F)

Time		10min	30min	1h	2h	3h	4h	5h	8h	10h	20h
9.60V	A	316.5	171.0	90.0	52.5	38.7	30.0	24.8	17.4	16.5	8.6
	W	3519	1836	1044	612	450	351.0	288.0	198.0	184.5	98.0
10.20V	A	285.0	166.5	84.6	50.1	37.5	29.3	24.3	17.1	15.5	8.4
	W	3384	1818	981	576	432	342.0	279.0	198.0	175.5	96.3
10.50V	A	270.0	153.0	82.5	48.9	36.6	28.8	24.0	16.9	15.3	8.3
	W	3276	1710	945	567	423	333.0	275.4	195.3	173.7	94.5
10.80V	A	255.0	141.0	79.5	47.7	35.7	28.4	23.4	16.4	15.0	8.2
	W	3150	1647	909	558	414	325.8	270.0	189.0	172.8	93.6
11.10V	A	240.0	126.0	75.0	46.5	34.5	27.5	22.8	16.0	14.6	8.1
	W	2970	1512	882	549	414	319.5	268.2	180.9	171.0	92.3