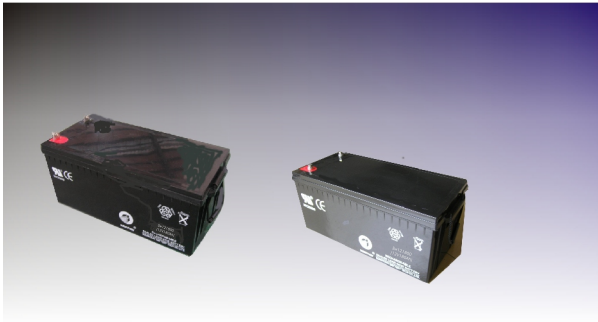
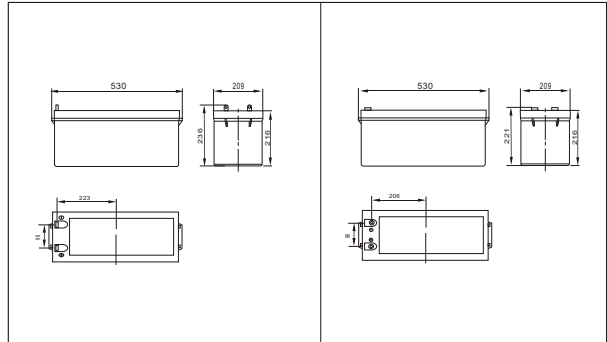




SW121800(12V180AH)



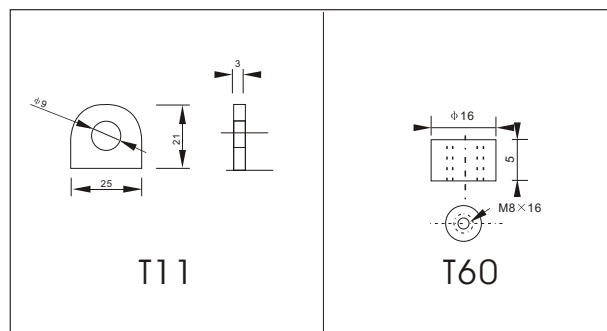
Outer dimensions (mm)



Specifications

Nominal Voltage		12V	
Rated capacity (10hour rate)		180 Ah	
Dimensions	Total Height	T11	237 mm (9.33inches)
		T60	221 mm (8.70 inches)
	Height	216 mm (8.50 inches)	
	Length	530 mm (20.8 inches)	
Width		209 mm (8.23 inches)	
Weight Approx		50.0 Kg (110.0 lbs)	

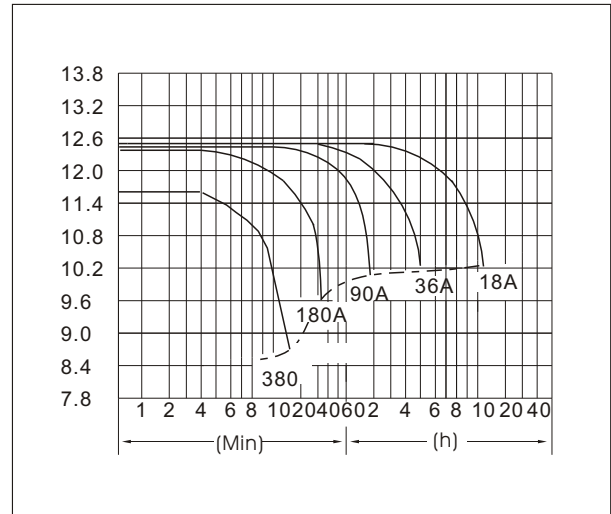
Terminal Type (mm)



Characteristics

Capacity 25°C(77°F)	10 hour rate(18 A)	180 AH
	5 hour rate(28.8A)	144 AH
	1 hour rate(108A)	108 AH
Internal Resistance	Full charged Battery at 25°C(77°F)	approx 3.0 mΩ
Capacity affected by Temperature (10hour rate)	40°C(104°F)	102%
	25°C(77°F)	100%
	0°C(32°F)	85%
	-15°C(5°F)	65%
Self-Discharge at 25°C(77°F)	Capacity after 3 month storage	91%
	Capacity after 6 month storage	82%
	Capacity after 12 month storage	64%
Terminal		T11, T60
Charge (constant Voltage)	Cycle	Initial Charging Current less than 72 A Voltage 14.10-14.40V
	Float	Voltage 13.50-13.80V

Discharge Curves 25°C(77°F)



Constant Current(Amp) and Constant Power(Watt) Discharge Table at 25°C(77°F)

Time		5min	10min	15min	30min	1h	2h	3h	4h	5h	8h	10h	20h
960V	A	577	380	306	205	108	63	46	36.0	29.7	21.1	18.9	10.2
	W	5950	4056	3283	2206	1166	692	515	405.0	337.7	241.3	218.3	118.7
1020V	A	558	343	288	196	102	60	45	35.1	29.2	20.5	18.5	9.9
	W	5963	3827	3227	2203	1148	693	521	408.1	339.9	240.1	217.8	116.1
1050V	A	540	307	252	184	98	59	44	34.6	28.8	20.3	18.2	9.9
	W	5899	3487	2878	2113	1138	681	512	404.4	337.7	239.2	215.1	117.0
1080V	A	521	289	234	169	95	57	43	34.0	28.1	19.8	18.0	9.7
	W	5841	3332	2700	1960	1106	670	505	401.7	331.9	234.6	213.9	115.8
1110V	A	503	271	216	151	92	56	41	33.1	27.4	19.3	17.1	9.2
	W	5705	3135	2518	1769	1080	660	492	394.5	326.5	230.7	206.4	111.3